

Angular Contact Ball Bearings

Bearing No. : **NACHI 7201CDF**

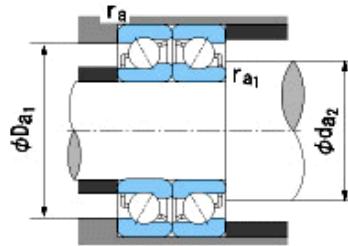
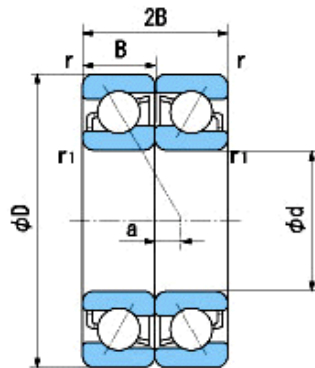
■ Bearing Type

■ Clearance

■ Tolerance Class

Dimensions

$d = 12$ $\begin{matrix} 0 \\ -0.008 \end{matrix}$
 $D = 32$ $\begin{matrix} 0 \\ -0.011 \end{matrix}$
 $B = 10$ $\begin{matrix} 0 \\ 0.000 \end{matrix}$
 $r = 0.6 \sim 1$
 (Radial Direction)
 $r = 0.6 \sim 2$
 (Axial Direction)
 $r_1 = 0.3 \sim 0.6$
 (Radial Direction)
 $r_1 = 0.3 \sim 1$
 (Axial Direction)
 $a = -2.5$



Dimensions

$da_1(\min) = 17$
 $da_2(\min) = 17$
 $Da_1(\max) = 27$
 $Da_2(\max) = 29.4$
 $ra(\max) = 0.6$
 $ra_1(\max) = 0.3$
 Mass = 0.08 kg

Basic Dynamic Load Rating C_r :	13,000 N
Basic Static Load Rating C_o :	7,750 N
Limiting Speed ;	
Grease Lubrication :	29,000 min^{-1}
Oil Lubrication :	40,000 min^{-1}

	INNER RING	OUTER RING
O.D.Surface Runout with Side :		-
Axial Runout with Bore :	-	
Axial Runout with Raceway :	-	
Width Variation :	0.020	0.020
Radial Runout :	0.010	0.020